

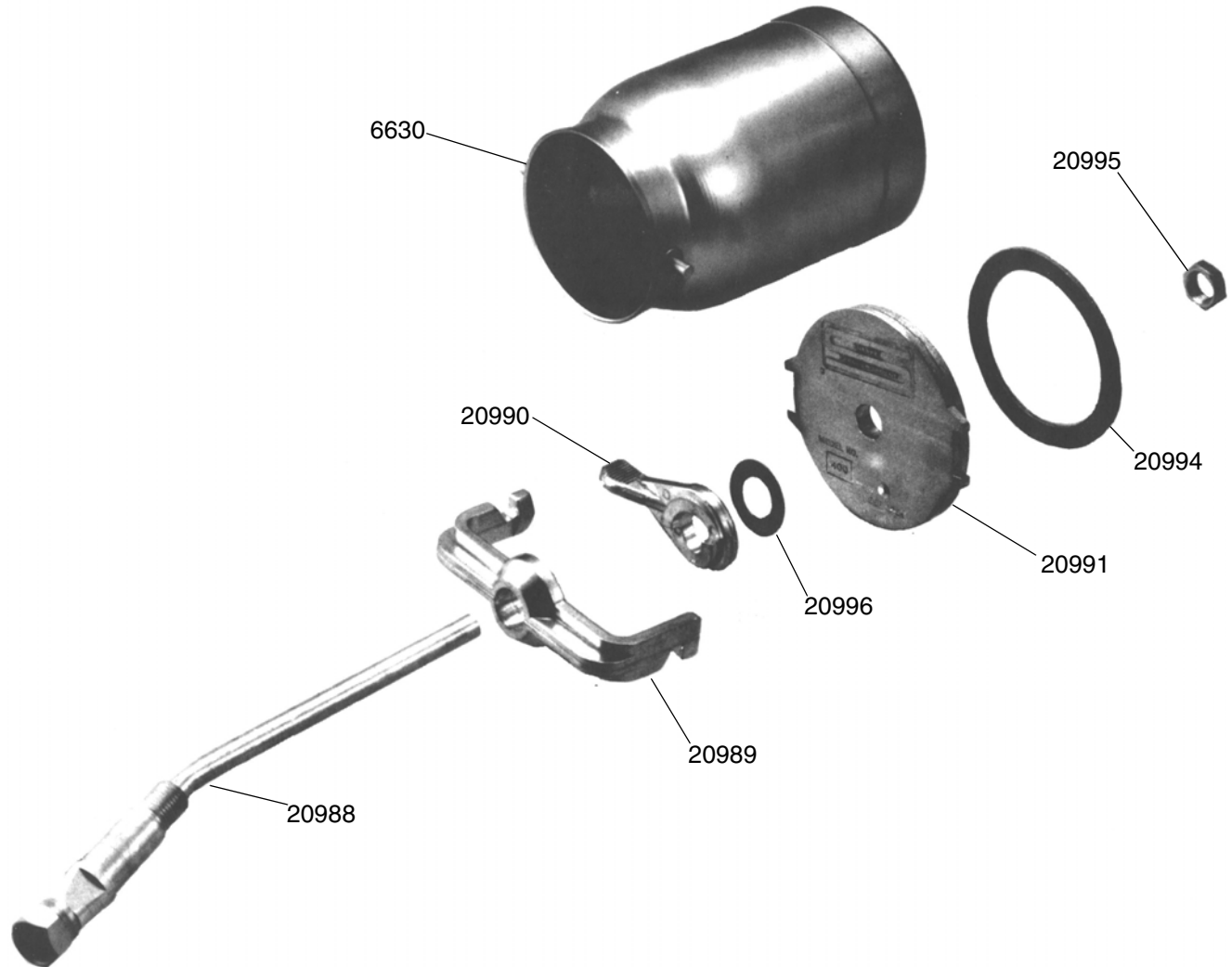
# UNIVERSAL SIPHON CUP MODELS 400 AND 450

**SHARPE**  
THE SPRAY GUN PEOPLE

FOR PRODUCT INFORMATION CALL:  
**1-800-742-7731**

## Model 400: 1 Quart Aluminum Siphon Cup

Part No. 6510



### Parts

Part No.	Description
20988	Fluid Tube Assembly (Includes Nut, Stem & Tube)
20989	Bridge
20990	Lever
20991	Lid
20994	Gasket
20995	Lock Nut
20996	Thrust Washer
6630	Cup

SHARPE MANUFACTURING COMPANY • P.O. BOX 1441, MINNEAPOLIS, MN 55440-1441

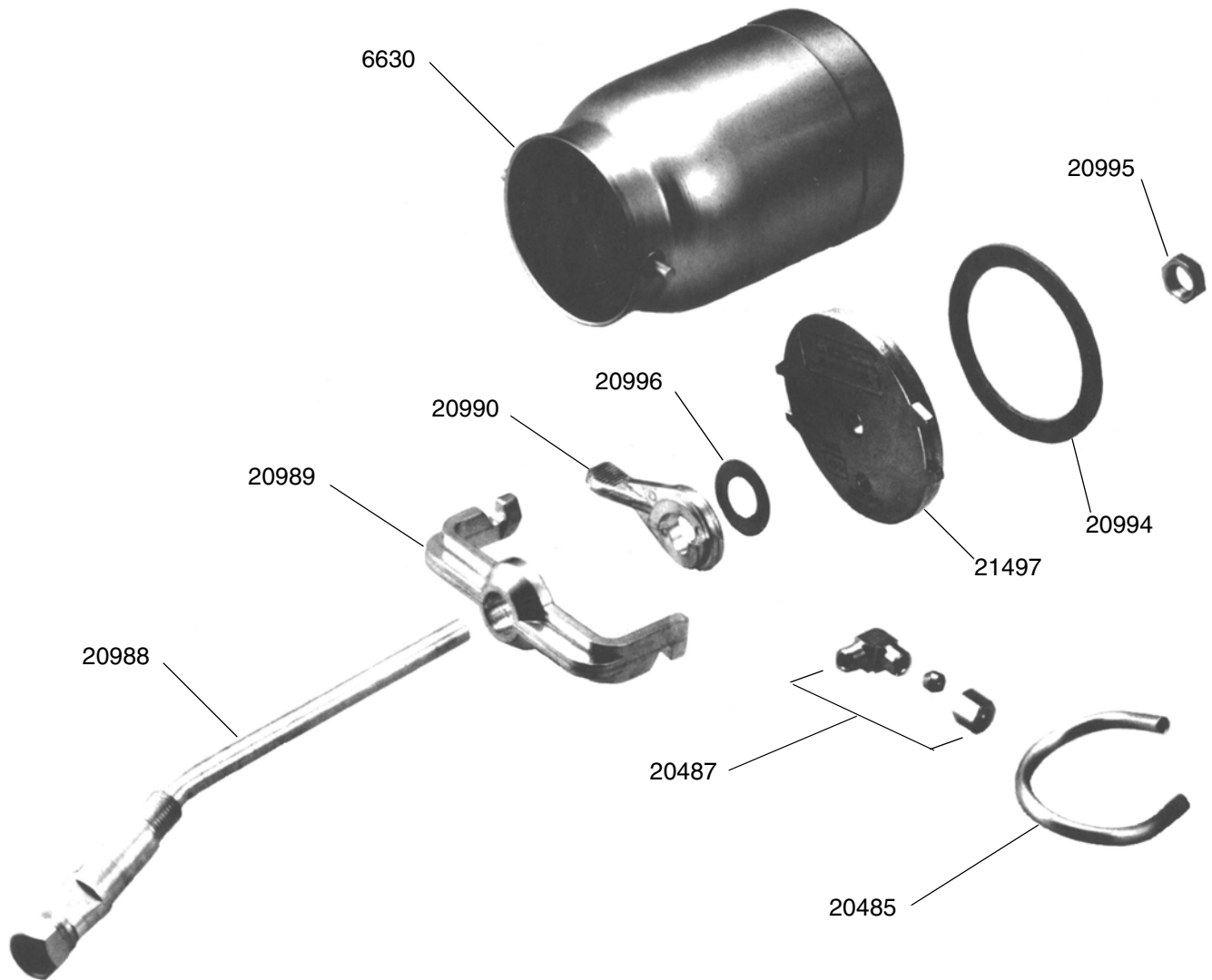
1-800-742-7731, [www.sharpe1.com](http://www.sharpe1.com)

310593B, 4/2006

## UNIVERSAL SIPHON CUP

### Model 450: 1 Quart Aluminum Siphon Cup - No Dry

Part No. 6610



#### Parts

Part No.	Description
20485	No-Drip Tube
20487	No-Drip Elbow (Includes Nut & Ferrule)
20988	Fluid Tube Assembly (Includes Nut, Stem & Tube)
20989	Bridge
20990	Lever
20994	Gasket
20995	Lock Nut
20996	Thrust Washer
21497	Lid
6630	Cup

SHARPE MANUFACTURING COMPANY • P.O. BOX 1441, MINNEAPOLIS, MN 55440-1441

1-800-742-7731 • www.sharpe1.com

310593B, 4/2006